

### Features:

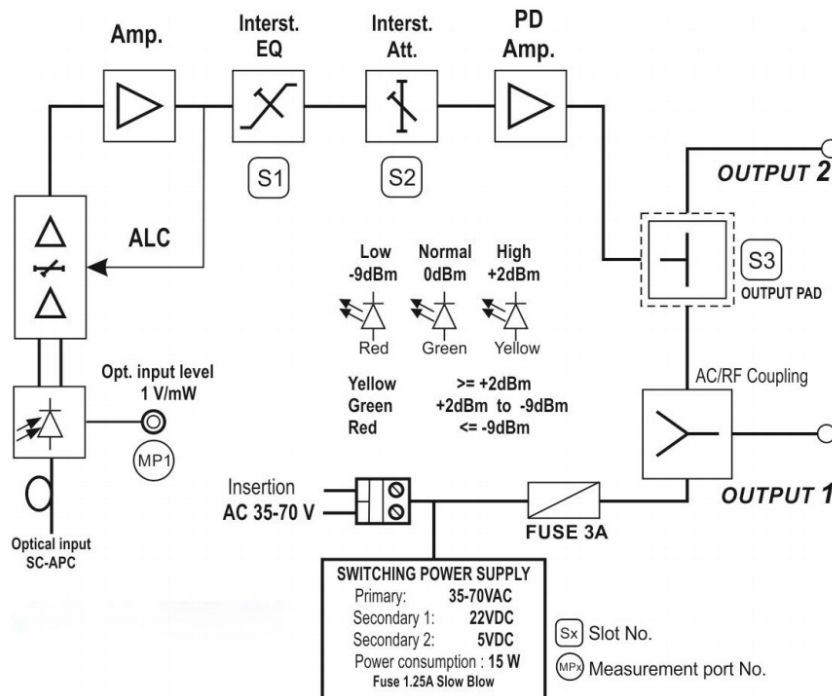
- Compact optical receiver
- High output level
- Power integral output – Power Doubler
- Wide optical input power range -9 ÷ +2 dBm
- Automatic level control (ALC)
- Inter-stage equalizer & attenuator
- Two outputs, one of them with power-feeding capabilities
- Surge protection on both outputs
- Built-in power inserter
- Coaxial connectors 5/8"
- Optical connectors SC/APC



rev. 1-A

Optical Section		RF Section		General Specifications	
Wavelength	1290 ± 1600nm	Frequency Range	47 ÷ 862MHz	Power Supply Mains	175 ÷ 265VAC
Fiber	SM 9/125µm	Flatness	± 0.75dB	Power Supply Coaxial	35 ÷ 75VAC
Optical Return Loss	> 40dB	Return Loss	> 18dB @ Z=75Ω	Remote Power Feed	<7A
Optical Input Level	-9 ÷ +2 dBm			Low voltage lockout	30VAC
Equivalent noise at input	≤ 8pA / √Hz			Power-up delay	2.5; 3.5; 5; 6s (jumper selectable)
Amplitude response (flatness)	± 0.75dB			Power Consumption	≤ 13W
				Operating Temperature	-20 ÷ +50°C
				Protection Level	IP65
				Dimensions	165x145x100mm
				Weight	1.55kg

Optical Section	
Output levels at OUT1 & OUT2, plug-in JP-out, slot [S3] (@ -9 ÷ +2dBm & 3.5% OMI/Channel)	≥ 107dBµV
Distortion products @ output level 107 dBµV (CELENEC 42/flat):	CTB: >63dB CSO: >64dB



Technical

DTK

Block Scheme