

HCA 815

Home cable TV amplifier



Description

Cable TV amplifier designed especially for end users. Its ease of installation and compact size make it ideal for home use. For indoor or outside mounting, powered from DC adapter and Power Inserter.

Features

- ***Compact home cable TV amplifier (dimensions 47 x Ø21 mm);***
- ***Power supply through Input or Output (with Power Inserter and DC adapter available within the kit);***
- ***Easy to install (no adjustment is needed);***
- ***LED Indicator for power on;***
- ***Coaxial "F" connectors.***

Technical specification of HCA 815:

Frequency Bandwidth	47 ÷ 1000 MHz
Gain	15 dB
Active components	InGaAs E-pHEMT
Gain Flatness	± 0.5 dB
Return loss	≥ 15 dB / 75 Ω
RF connectors	“F” type
Supply voltage:	
○ through Power Inserter and DC adapter	9 VDC
Power consumption	0.9 W
Output IP3 ¹⁾	43 dBm
Noise figure	5 dB
Ambient temperature range	–20 ÷ +50°C
Index of protection	IP65
Dimensions (L x W)	47 x ø21 mm
Weight	0.030 kg

Technical specification of Power Inserter 0.5A:

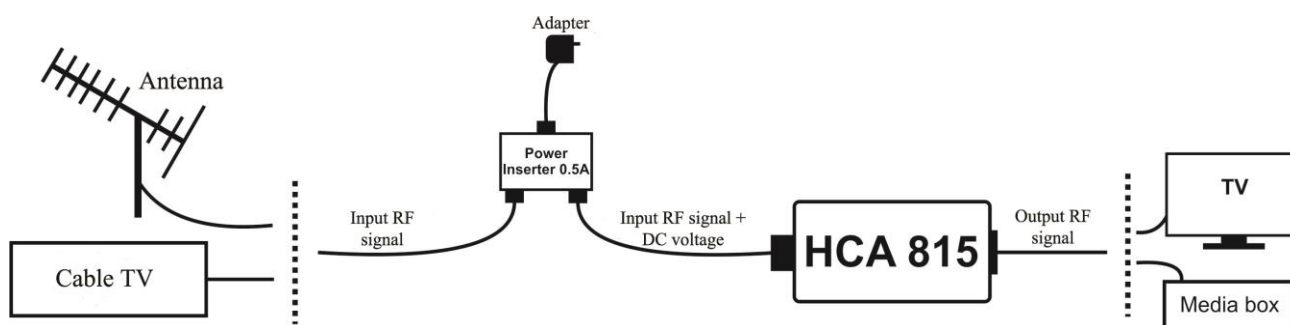
Frequency bandwidth	5 ÷ 862 MHz
Insertion loss	< 0.5 dB
Return loss	> 20 dB
Max. voltage	100 VDC, 70 VAC
Max. current	0.5 A
Dimensions	58 x 48 x 16 mm
Weight	0.039 kg

Note:

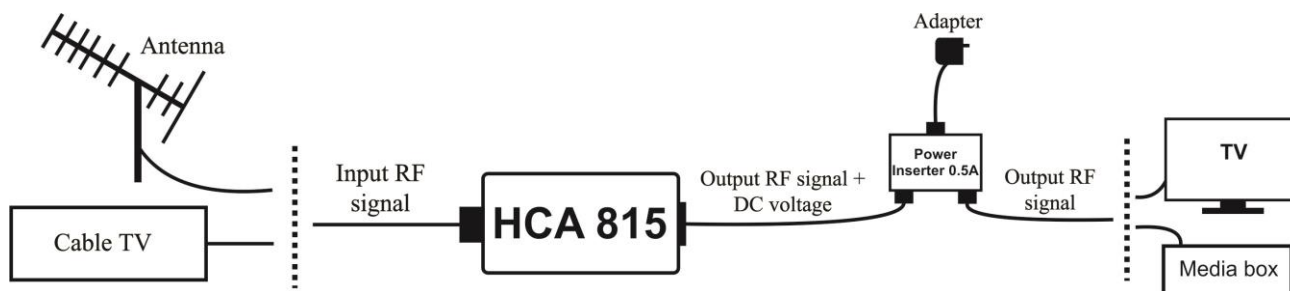
1) OIP3 is measured with two tones at an output power of +9 dBm/tone separated by 6 MHz

Block diagrams for different ways of powering:

• **Powering through input**



• **Powering through output**



Package

HCA 815	1 pcs
DC adapter 9VDC/0.5A	1 pcs
Power Inserter 0.5A	1 pcs